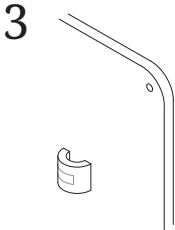
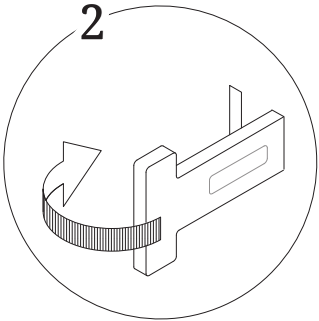
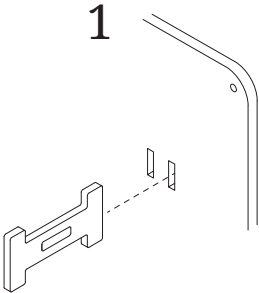
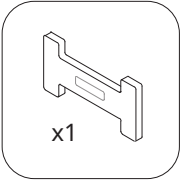
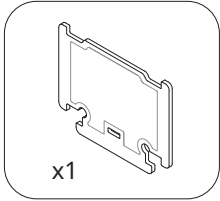


Nightstand

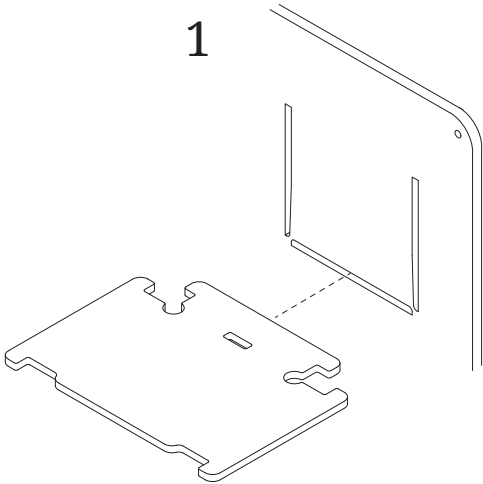
# Glasses



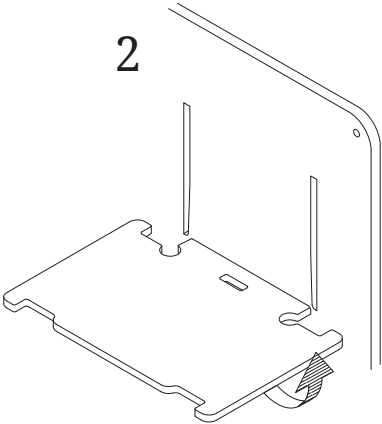
# Smartphone



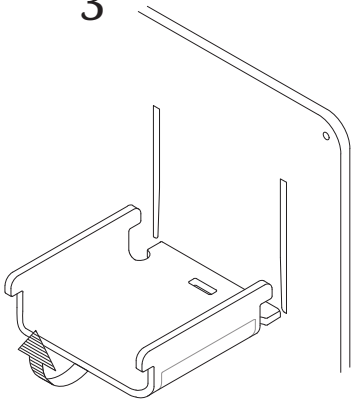
1



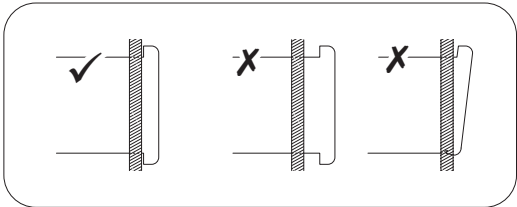
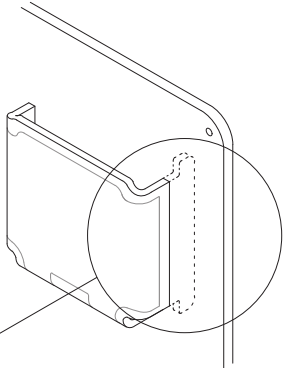
2



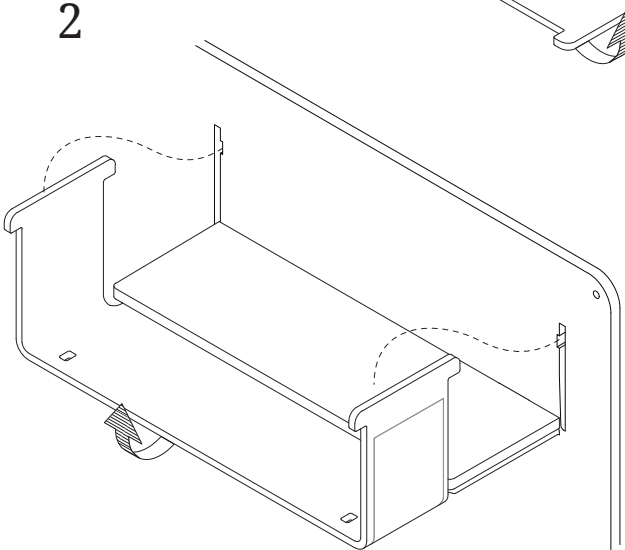
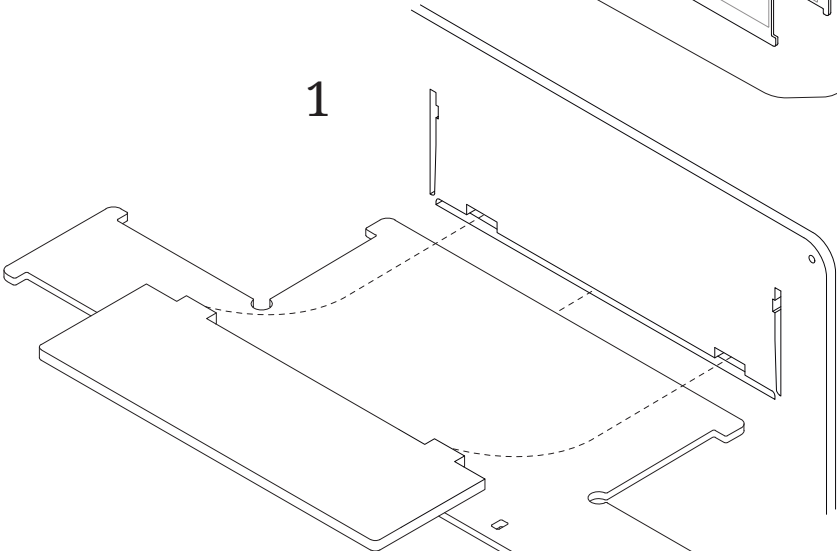
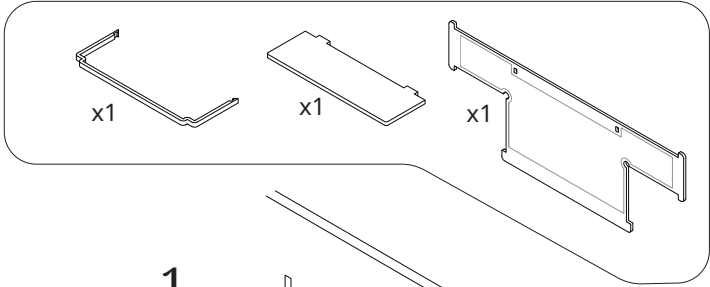
3



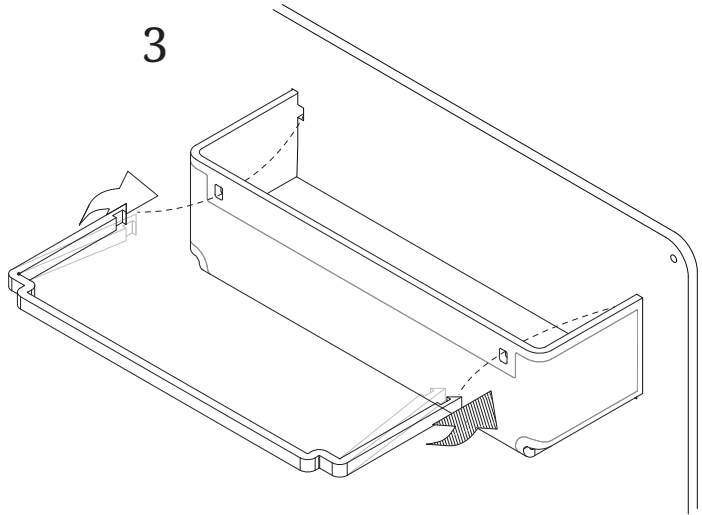
4



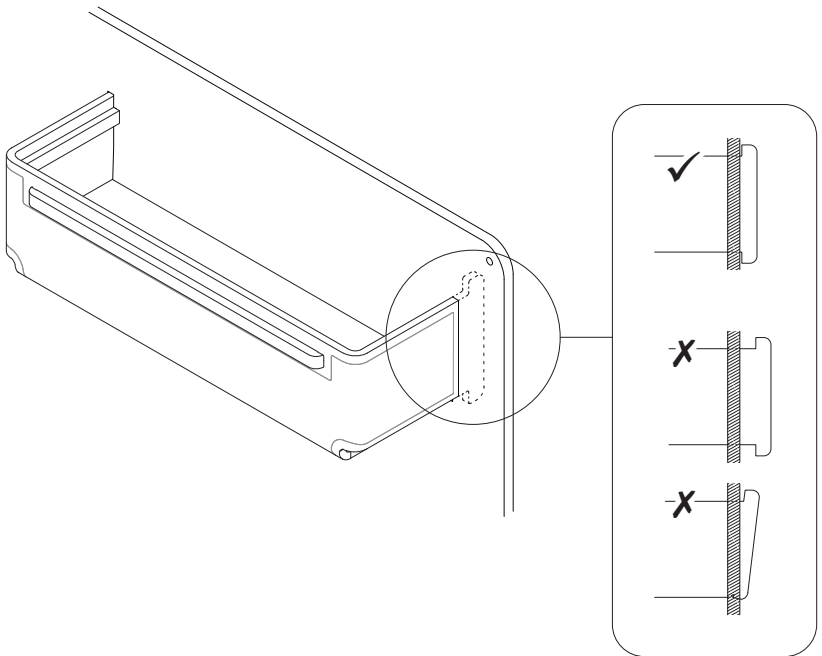
# Pocket



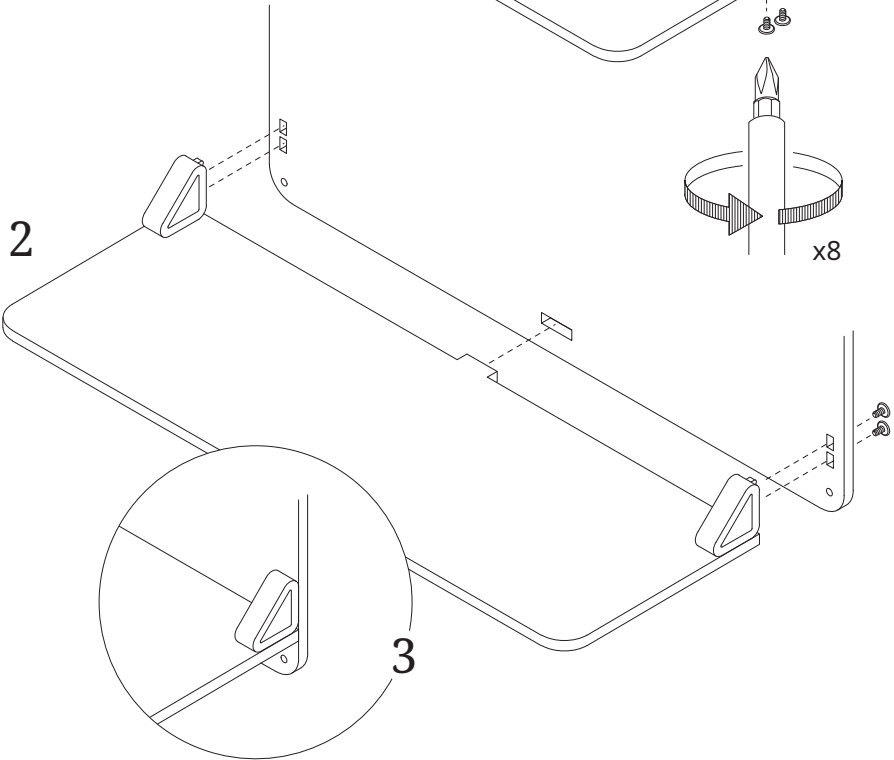
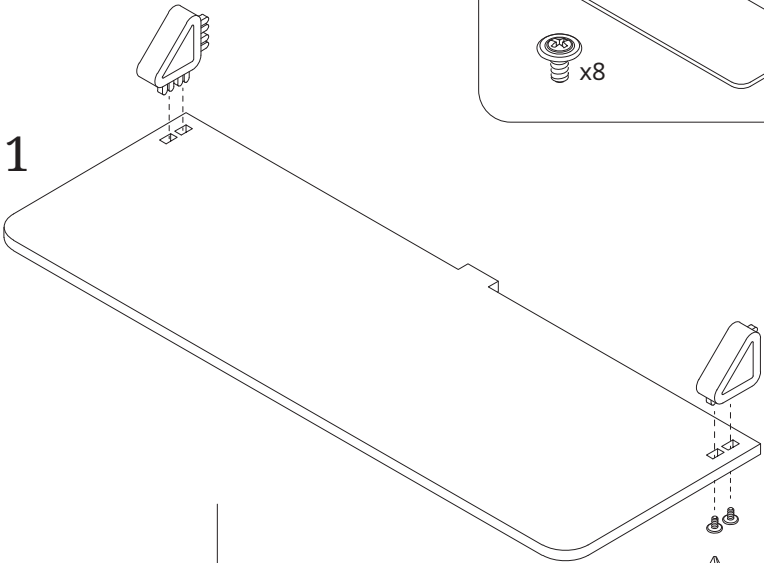
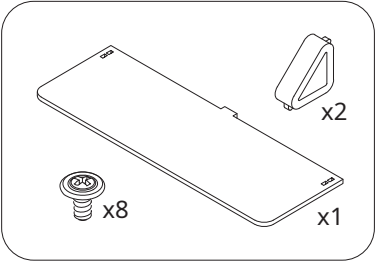
3



4

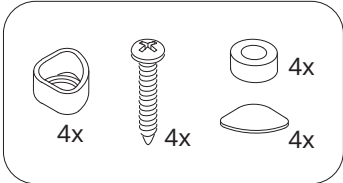


# Shelf



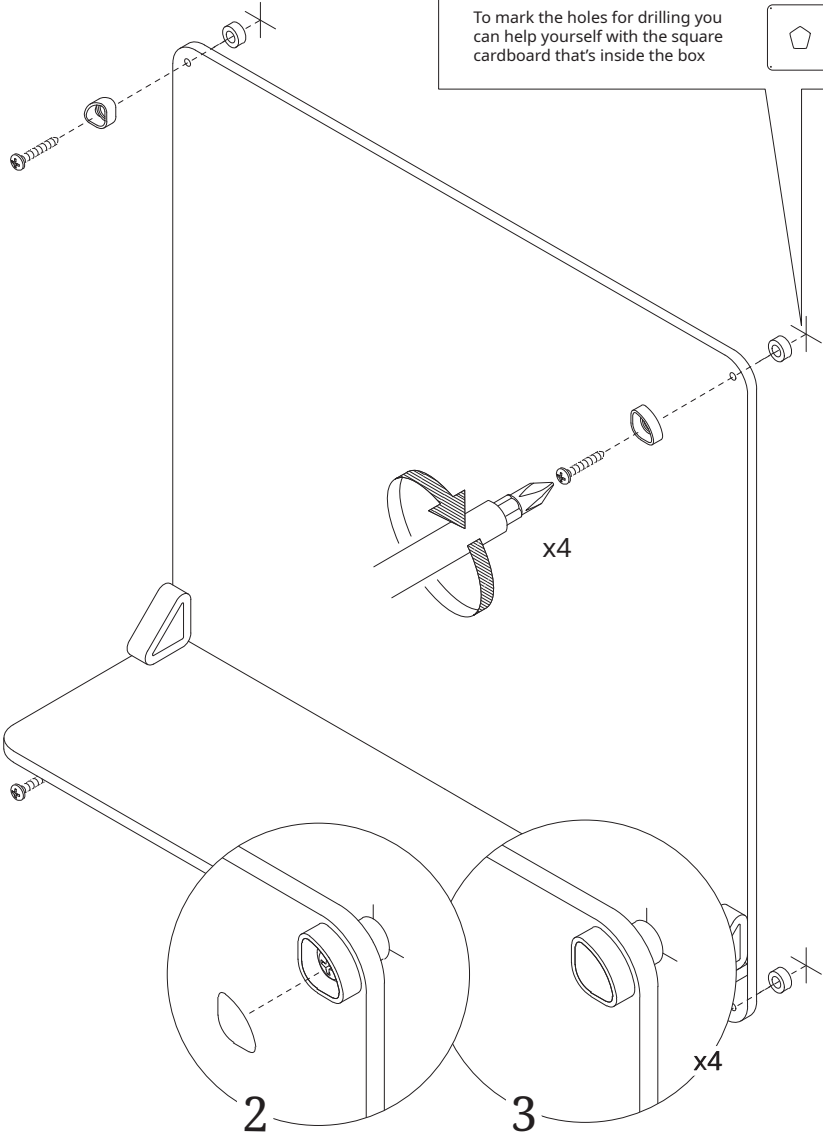
# Base

Fix to wall once all the components have been assembled

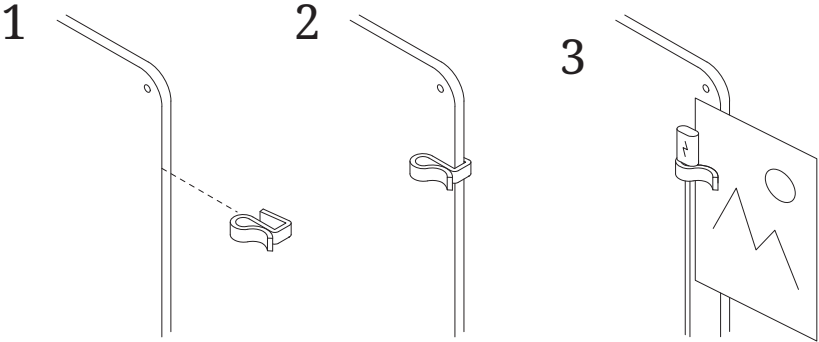
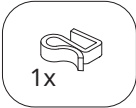


1

To mark the holes for drilling you can help yourself with the square cardboard that's inside the box



# Clip



# Flash lamp

A gift for you so you can turn your phone into a night lamp

