

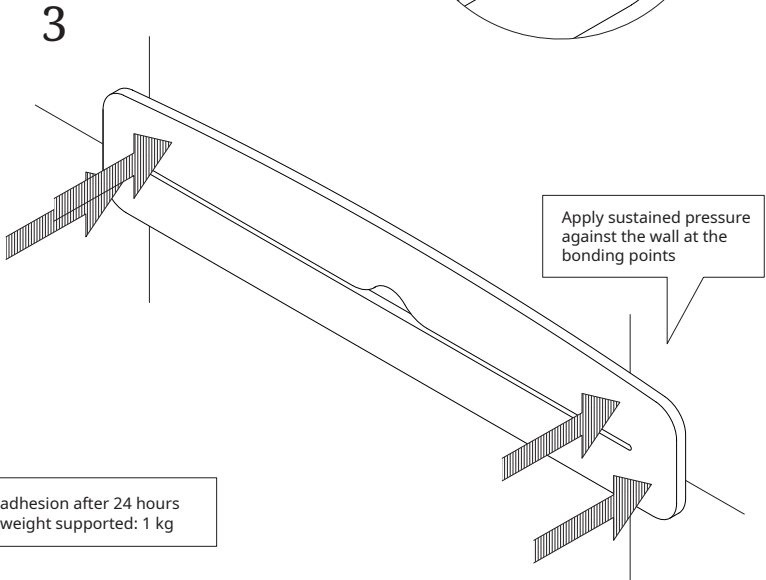
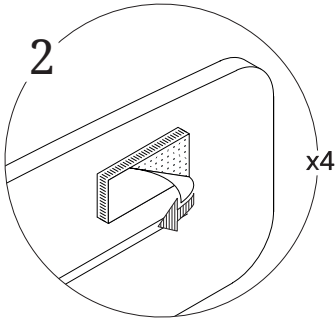
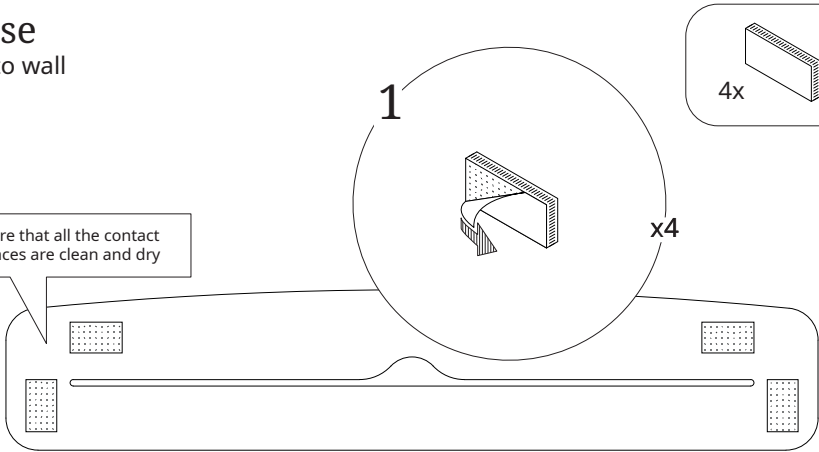
Instructions

Key holder

Base

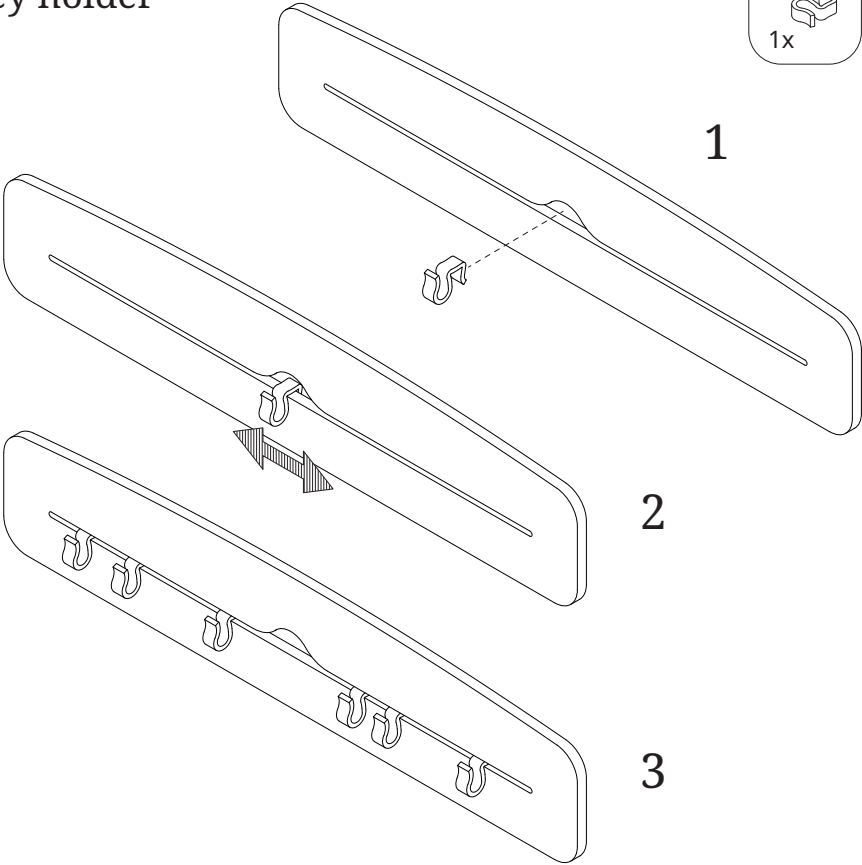
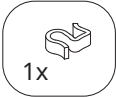
Fix to wall

Ensure that all the contact surfaces are clean and dry



Max. adhesion after 24 hours
Max. weight supported: 1 kg

Key holder



Clip for pictures and cables

