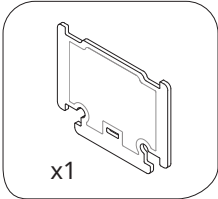
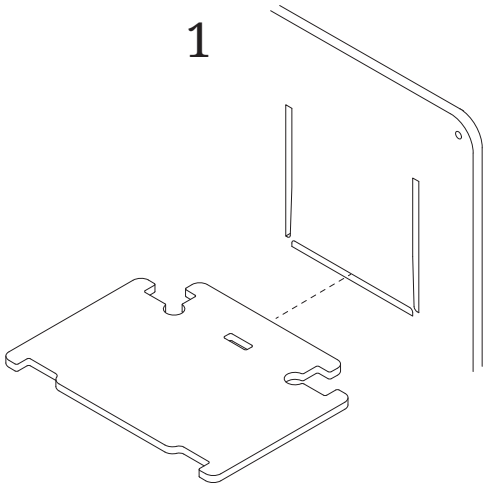


Entrance organizer

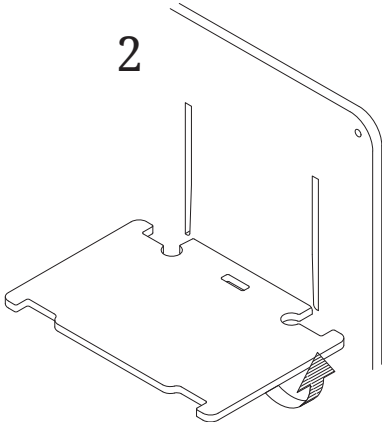
Smartphone



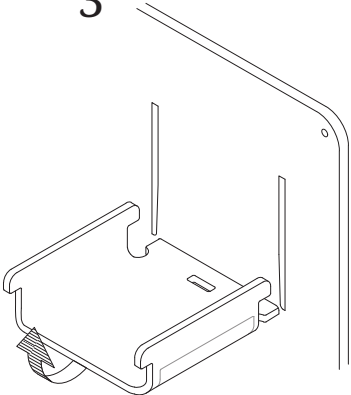
1



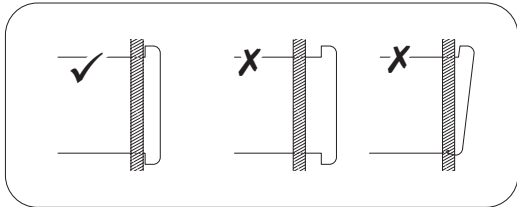
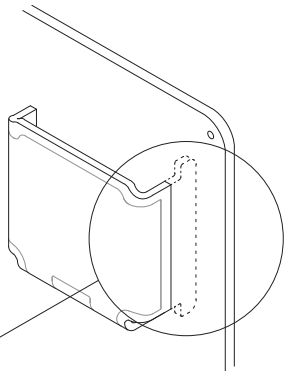
2



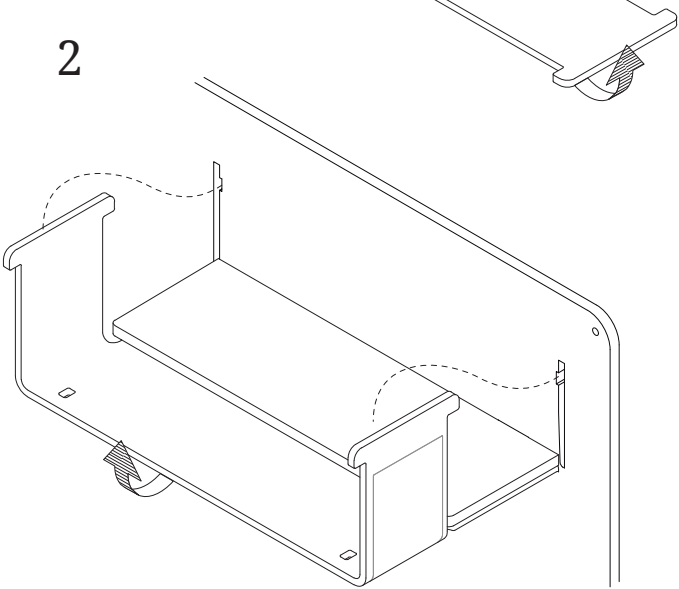
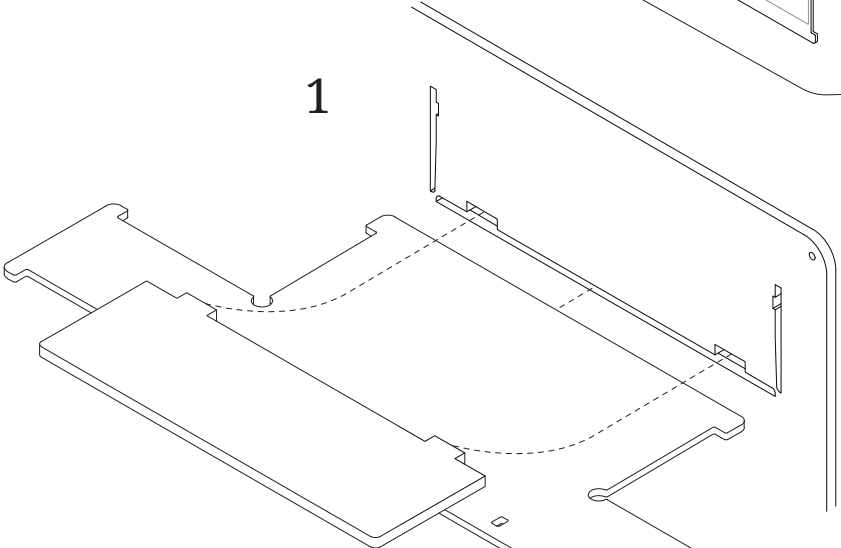
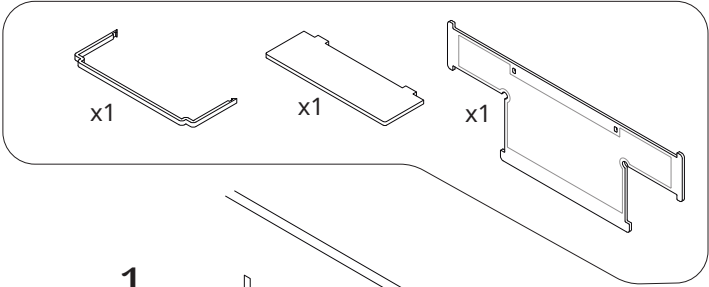
3



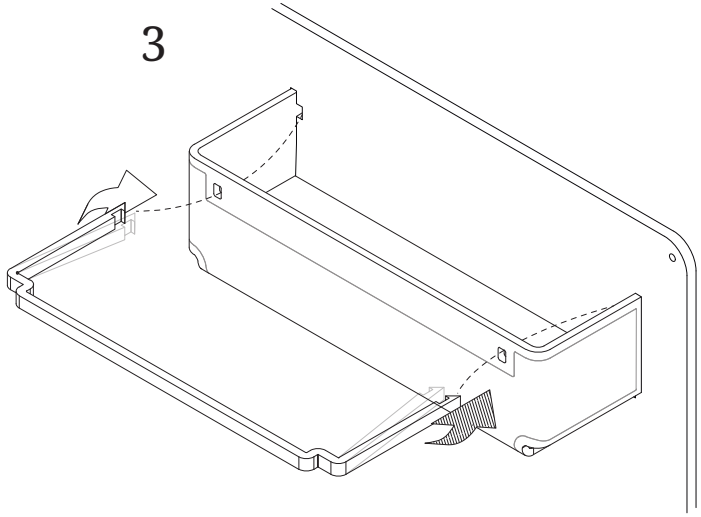
4



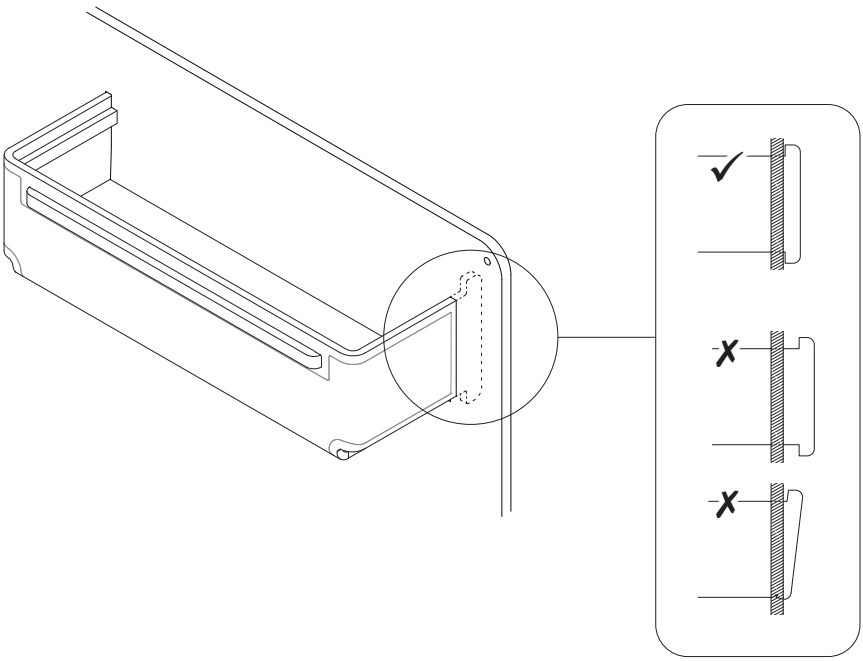
Pocket



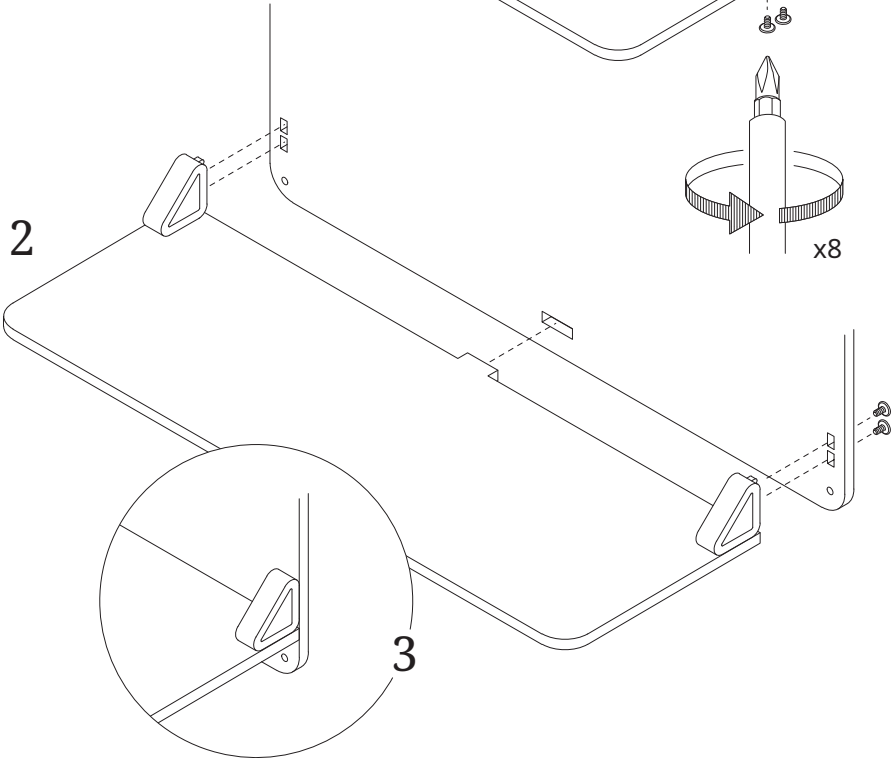
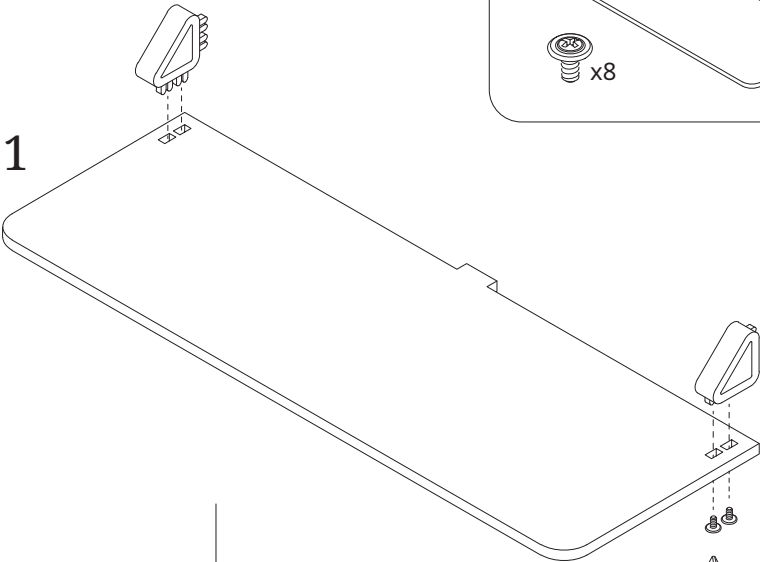
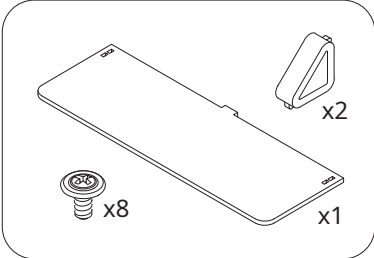
3



4

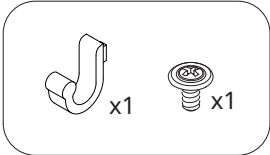
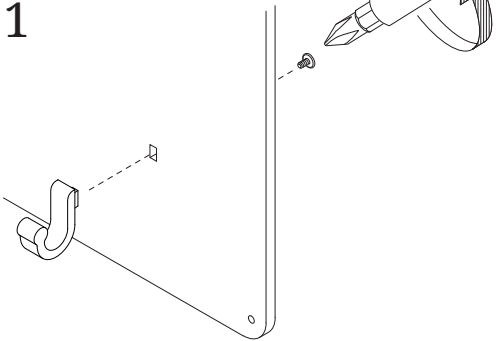


Shelf

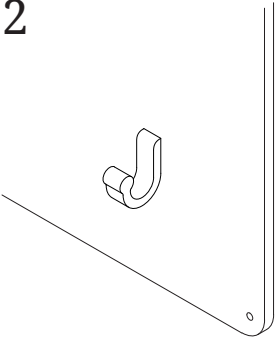


Hook

1

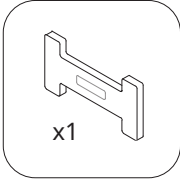
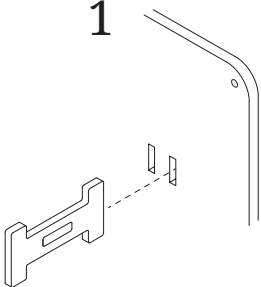


2

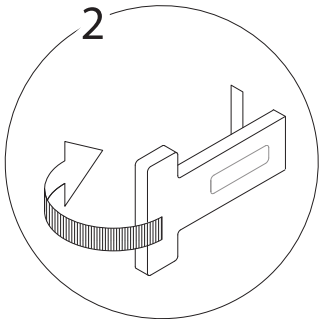


Glasses

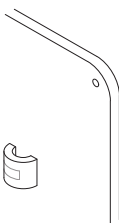
1



2

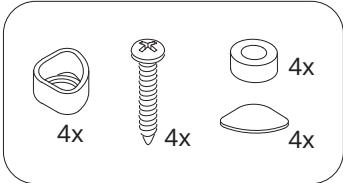


3



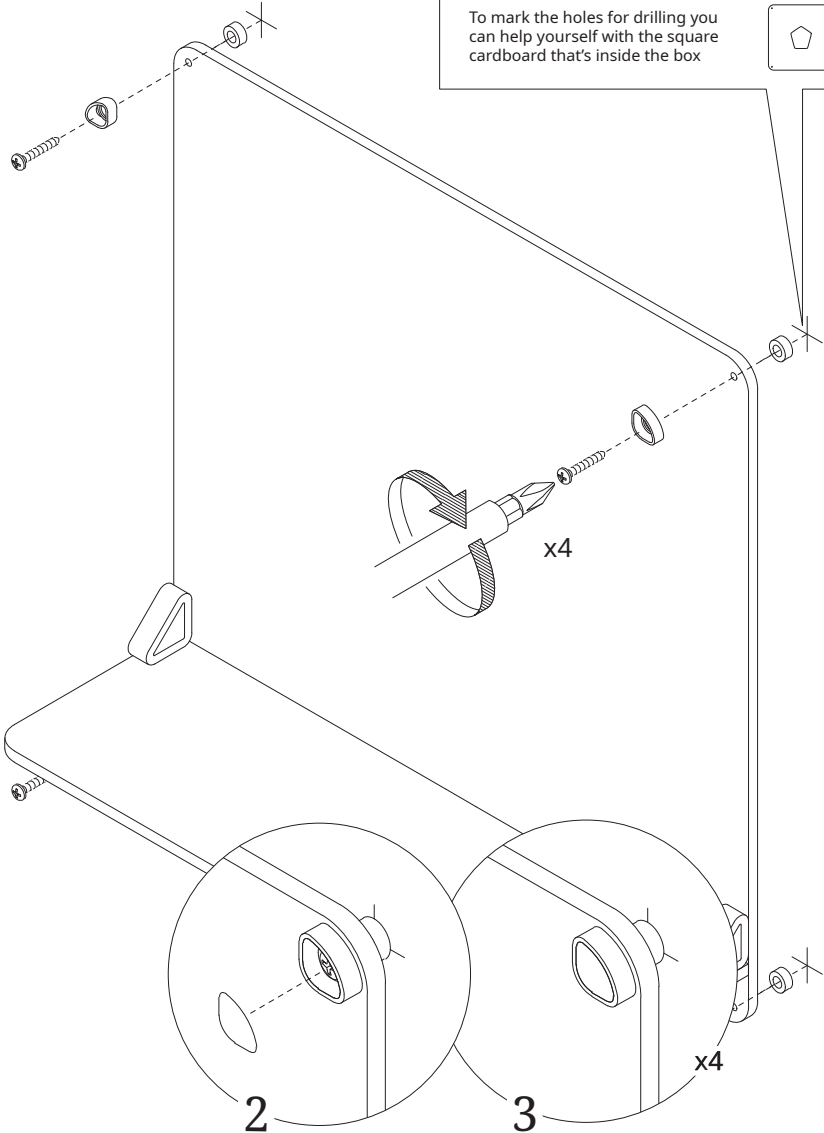
Base

Fix to wall once all the components have been assembled

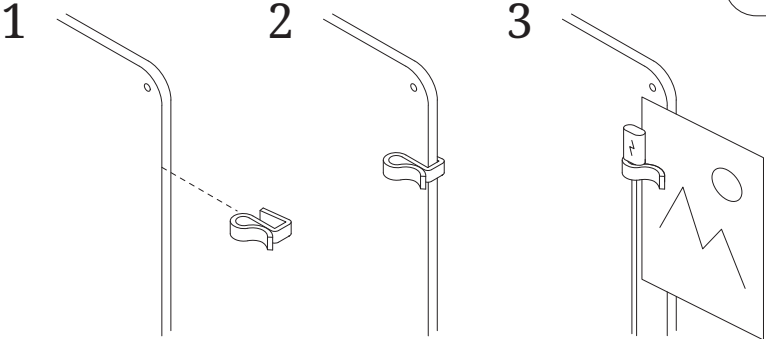
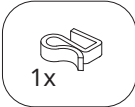


1

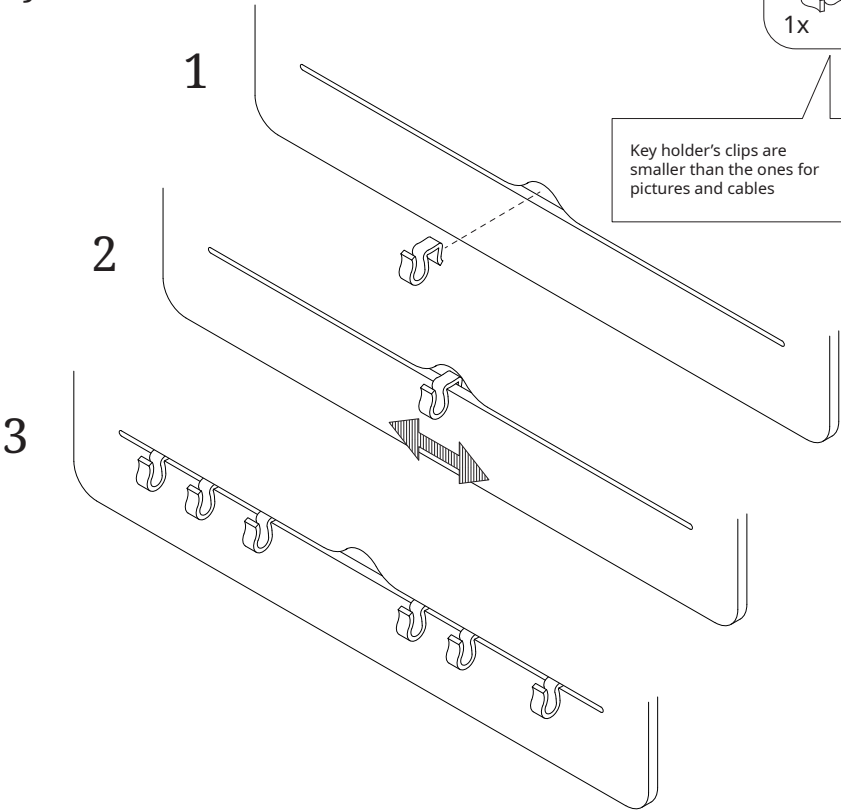
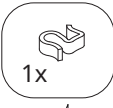
To mark the holes for drilling you can help yourself with the square cardboard that's inside the box



Clip for pictures and cables



Key holder



Key holder's clips are smaller than the ones for pictures and cables